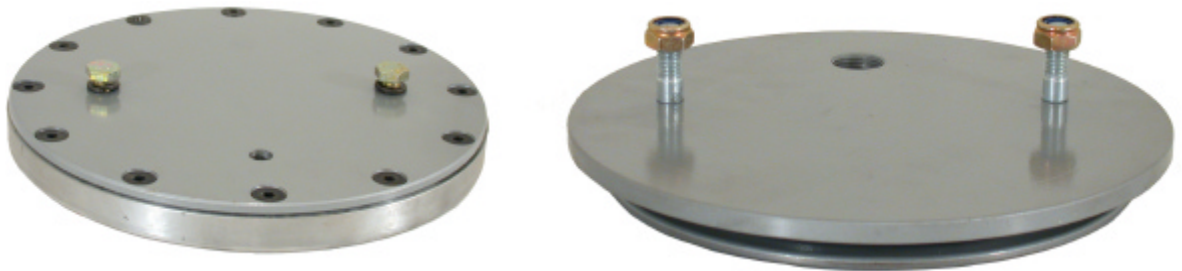


SOPORTE SUPERIOR: PLATOS



SOPORTE SUPERIOR/TAPAS: Conjuntos Cilíndricos (c/Retención) Tpte. CARGA

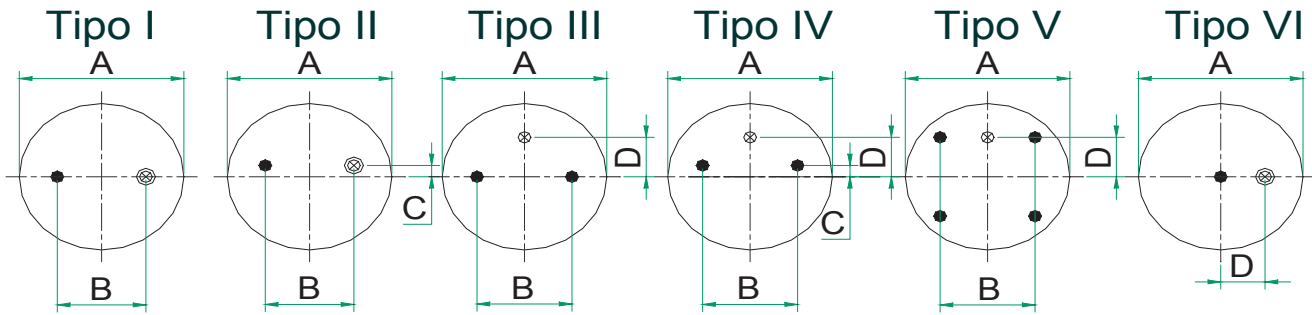
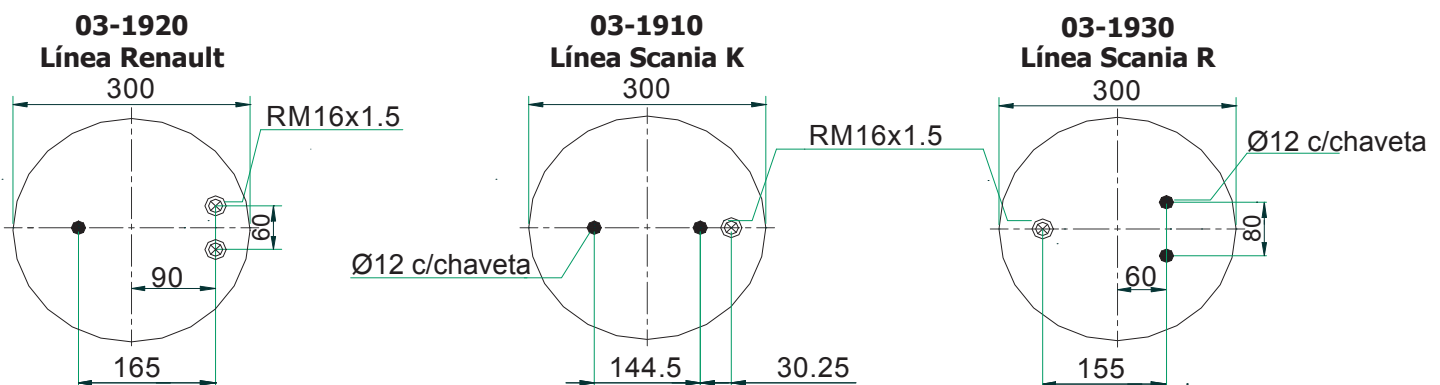


TABLA DE DIMENSIONES

| CODIGO | Tipo | A | B | C | D | Tope de Goma | Fijaciones | Cámara de aire |
|-----------------------|------|-------|-------|------|-------|--------------|--|---|
| 03-0050 | IV | 228,0 | 160,0 | 20,0 | 70,0 | H 50 | Esparrago 2x RM10x 1,5 E. Aire Rosca H. M22x1,5 | 01-0010; 06-9510 (Subconjunto) |
| 03-1810 | III | 226,0 | 157,5 | | 57,5 | NO | Esparrago 2x RM10x 1,5 E. Aire Conector rápido Ø8 | 01-0510; 01-0520; 01-2020; 01-2120; 01-2320 |
| 03-1910 | Esp | 300,0 | 144,5 | | 102,5 | H 30 | 2 Pernos c/ Chaveta Entrada Aire H. M16x1,5 | 01-0310; 01-0330; 01-0340; 01-0350 |
| 03-1920 | Esp | 300,0 | 165,0 | 60,0 | 90,0 | H 30 | 1 Perno c/ Chaveta 2 Entrada Aire H. M16x1,5 | 01-0310; 01-0330; 01-0340; 01-0350 |
| 03-1930 | Esp | 300,0 | 155,0 | 80,0 | 60,0 | H 30 | 2 Pernos c/ Chaveta Entrada Aire H. M16x1,5 | 01-0310; 01-0330; 01-0340; 01-0350 |
| 03-2010 | I | 228,0 | 140,0 | | | NO | Esparrago 1x RM12x 1,5 Entrada Aire Niple 1/4BSP | 01-0010 |
| 03-2011RE/G2 | IV | 260,0 | 150,0 | 20,0 | 70,0 | NO | Esparrago 2x RM10x 1,5 E. Aire Rosca H. M22x1,5 | 01-0530; 01-2010; 01-2110; 01-2310 |
| 03-2013RA/G1 | I | 260,0 | 157,5 | | | NO | Esparrago 1x RM12x 1,75 Entrada Aire Niple 1/4BSP | 01-0530; 01-2010; 01-2110; 01-2310 |
| 03-2013RA/G1-1 | VI | 260,0 | | | 77,6 | NO | Niple 20x1,5 c/E. Aire 1/4 BSP | 01-0530; 01-2010; 01-2110; 01-2310 |
| 03-2013RE/G1 | I | 260,0 | 157,5 | | | NO | Esparrago 1x RM12x 1,75 Entrada Aire Niple 12x1,5 | 01-0530; 01-2010; 01-2110; 01-2310 |
| 03-2013G2/D | Esp | 260,0 | 200,0 | | 30,0 | NO | Esparrago 2x RM12x 1,75 Entrada Aire B.S.P. 1/4" | 01-0530; 01-2010; 01-2110; 01-2310 |
| 03-2014RE/G3 | IV | 260,0 | 160,0 | 20,0 | 70,0 | NO | Esparrago 2x RM10x 1,5 E. Aire Rosca H. M22x1,5 | 01-0530; 01-2010; 01-2110; 01-2310 |
| 03-2510 | V | 300,0 | 158,8 | | 79,4 | NO | Esparrago 4x RM12x 1,5 E. Aire Rosca H. M22x1,5 | 01-0310; 01-0330; 01-0340; 01-0350 |
| 03-3010RA | I | 202,0 | 140,0 | | | NO | Esparrago 1x RM12x 1,5 Entrada Aire Niple 1/4 BSP | 01-0530; 01-2010; 01-2110; 01-2310 |
| 03-3010RAC | I | 202,0 | 140,0 | | | NO | Esparrago 1x RM12x 1,5 Entrada Aire Niple 1/4 NPT | 01-0530; 01-2010; 01-2110; 01-2310 |
| 03-3410 | V | 300,0 | 158,8 | | 79,4 | H 70 | Esparrago 4x RM12x 1,5 E. Aire Rosca H. M22x1,5 | 01-0310; 01-0330; 01-0340; 01-0350 |
| 03-3430 | V | 300,0 | 158,8 | | 79,4 | NO | Esparrago 4x RM12x 1,5 E. Aire Rosca H. M22x1,5 | 01-0310; 01-0330; 01-0340; 01-0350 |
| 03-3450 | III | 300,0 | 140,0 | 35,0 | | NO | Esparrago 2x RM20x 1,5 Entrada Aire Niple 2x 1/4 | 01-0310; 01-0330; 01-0340; 01-0350 |
| 03-3510 | I | 300,0 | 158,8 | | | H 70 | Esparrago 1x RM12x 1,5 Entrada Aire Niple 1/4 BSP | 01-0310; 01-0330; 01-0340; 01-0350 |
| 03-3515 | I | 300,0 | 158,8 | | | NO | Esparrago 1x RM12x 1,5 Entrada Aire Niple 1/4 BSP | 01-0310; 01-0330; 01-0340; 01-0350 |
| 03-3540 | I | 300,0 | 140,0 | | | H 70 | Esparrago 1x RM12x 1,5 Entrada Aire Niple 1/4 BSP | 01-0310; 01-0330; 01-0340; 01-0350 |

PLATOS: LINEA ESPECIAL - Tpte. CARGA



SOPORTE SUPERIOR/TAPAS: Conjuntos Cilíndricos (s/Retención) Tpte. BUS

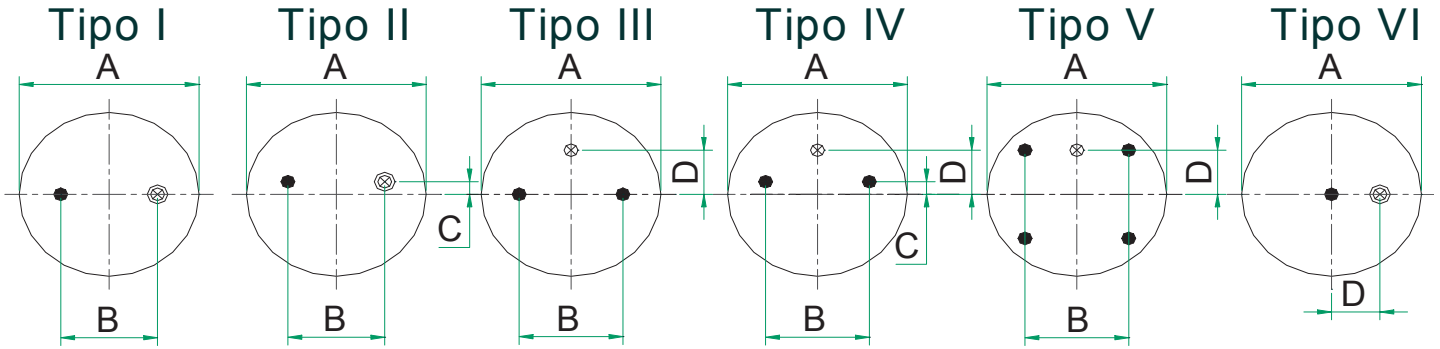
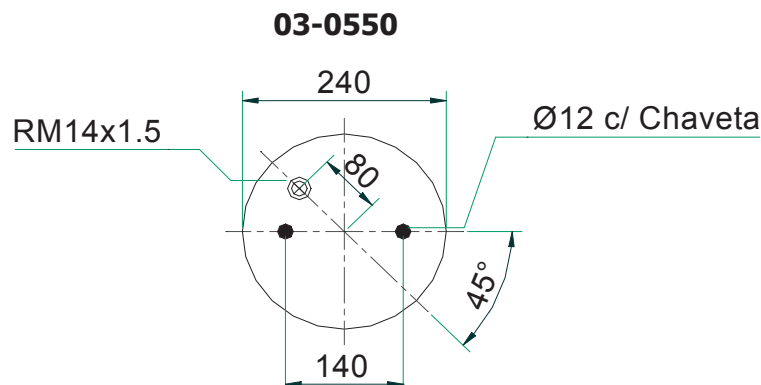


TABLA DE DIMENSIONES

| CODIGO | Tipo | A | B | C | D | Fijaciones | Cámara de aire |
|----------------|------|-------|-------|---|------|---|---|
| 03-0010 | I | 230,0 | 120,0 | | | Esparrago 1x RM12x 1,5 Entrada Aire Niple M12x1,5 | 01-0010 ; 01-0020 ; 01-0030 |
| 03-0130 | I | 230,0 | 120,0 | | | Esparrago 1x RM12x 1,5 Entrada Aire Niple 1/4 NPT | 01-0010 ; 01-0020 ; 01-0030 |
| 03-0210 | I | 229,0 | 151,0 | | | Esparrago 1x RM12x 1,5 Entrada Aire Niple M12x1,5 | 01-0010 ; 01-0020 ; 01-0030 |
| 03-0250 | VI | 132,5 | | | 47,0 | Entrada Are Niple 1/8 NTP Tetón centrador Ø20 | 01-0010 ; 01-0020 ; 01-0030 |
| 03-0255 | VI | 132,5 | | | 36,0 | Entrada Are Niple M12x 1,5 Tetón centrador Ø20 | 01-0010 ; 01-0020 ; 01-0030 |
| 03-0310 | I | 199,0 | 80+64 | | | Esparrago 1x RM8x 1,25 Entrada Aire Niple M14x1,5 | 01-0310 ; 01-0330 ; 01-0340 ; 01-0350 |
| 03-0510 | I | 238,0 | 140,0 | | | Esparrago 1x RM12x 1,5 Entrada Aire Niple M12x1,5 | 01-0510 ; 01-0520 ; 01-2020 ; 01-2120 ; 01-2320 |
| 03-0580 | VI | 152,0 | | | 60,0 | Entrada Are Niple M12x 1,5 Tetón centrador Ø20 | 01-0510 ; 01-0520 ; 01-2020 ; 01-2120 ; 01-2320 |
| 03-0610 | III | 222,0 | 190,0 | | 42,0 | Esparrago 2x RM8x 1,25 Entrada Aire Niple M12x1,5 | 01-0010 ; 01-0020 ; 01-0030 |
| 03-0630 | III | 222,0 | 190,0 | | 42,0 | Esparrago 2x RM8x 1,25 Entrada Aire Niple M12x1,5 | 01-0010 ; 01-0020 ; 01-0030 |
| 03-0710 | III | 224,0 | 190,0 | | 42,0 | Tornillo Allen 2x RM8x 1,25 Entrada Aire Niple M12x1,5 | 01-0010 ; 01-0020 ; 01-0030 |
| 03-0810 | I | 214,0 | 80+45 | | | Esparrago 1x RM12x 1,5 Entrada Aire Niple M12x1,5 | 01-0810 |
| 03-0830 | VI | 100,0 | | | 36,0 | Entrada Are Niple M12x 1,5 Tetón centrador Ø20 | 01-0810 |
| 03-2130 | I | 238,0 | 140,0 | | | Esparrago 1x RM12x 1,5 Entrada Aire Niple M12x1,5 | 01-2130 |
| 03-6910 | III | 222,0 | 190,0 | | 42,0 | Esparrago 2x RM8x 1,25 Entrada Aire Niple M12x1,5 | 01-0910 ; 01-0940 |

PLATOS: LINEA SCANIA S4 - Tpte BUS



SOPORTE SUPERIOR / TAPAS: Conjuntos LOBULARES con Bridas/Aro

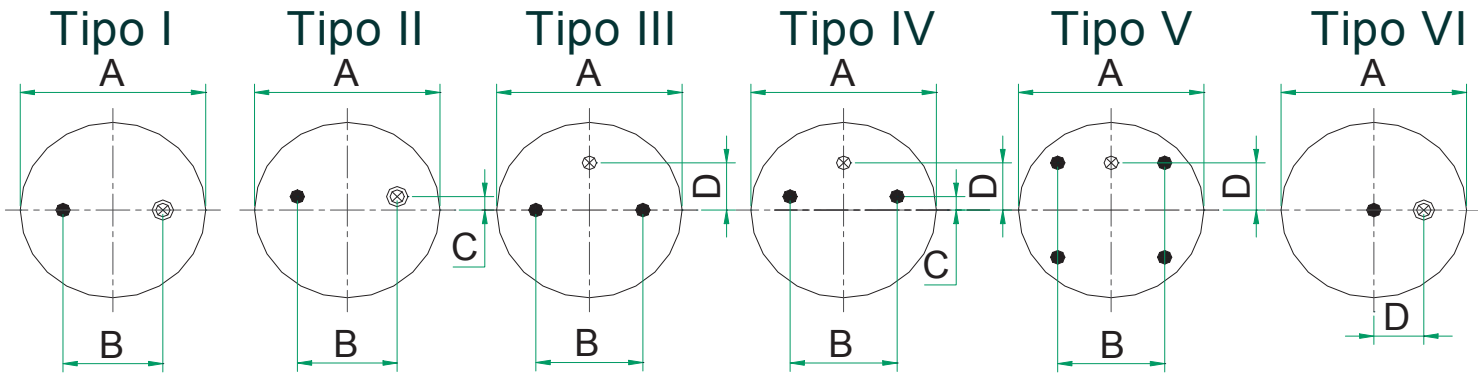


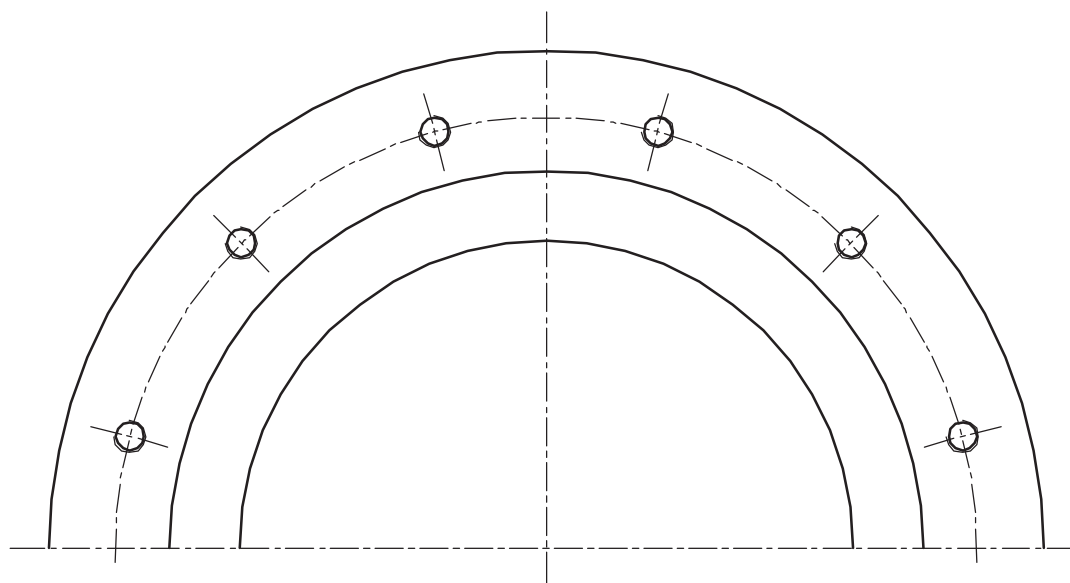
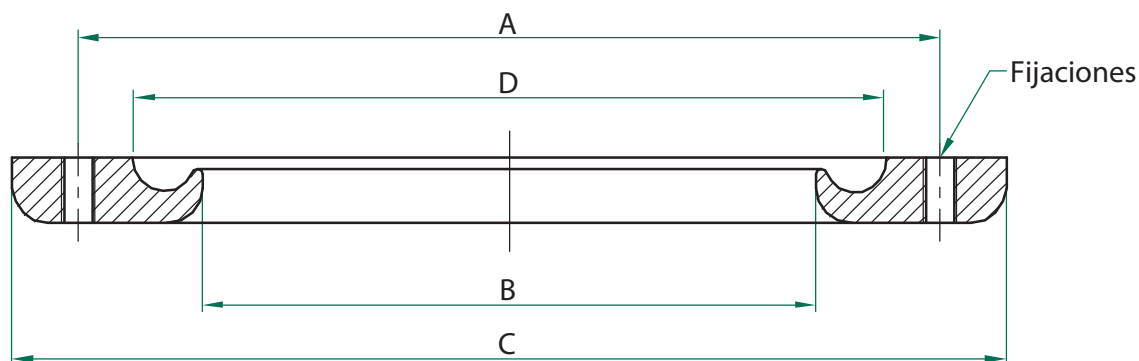
TABLA DE DIMENSIONES

| CODIGO | Ubicación | Tipo | A | B | C | D | Fijaciones | Cámara de Aire |
|------------|-----------|------|-------|-------|------|------|---|------------------------------------|
| 03-6011 | Superior | III | 190,0 | 89,0 | | 44,5 | Esparrago 2x RM10x 1,5 E. Aire Rosca H. 1/4 BSP | 01-6010; 01-6020 |
| 03-6013 | Superior | III | 190,0 | 89,0 | | 44,5 | Hembra 2x RM10x 1,5 E. Aire Rosca H. 1/4 BSP | 01-6010; 01-6020 |
| 03-6021 | Superior | III | 190,0 | 177,5 | | 0,0 | Esparrago 2x RM12x 1,75 E. Aire Rosca H. 1/4 BSP | 01-6010; 01-6020 |
| 03-6012 | Inferior | I | 190,0 | 89,0 | | | Hembra 2x RM10x 1,5 | 01-6010; 01-6020 |
| 03-6022 | Inferior | III | 190,0 | 177,5 | | | Esparrago 2x RM12x 1,75 Centrador Ø 31,7mm | 01-6010; 01-6020 |
| 03-6023 | Inferior | I | 190,0 | 177,5 | | | Esparrago 2x RM12x 1,75 | 01-6010; 01-6020 |
| 03-6082 | Superior | III | 154,0 | 69,8 | | 0,0 | Esparrago 2x RW 3/8" E. Aire Rosca H. 1/4 BSP | 01-6080; 01-6090 |
| 03-6086 | Inferior | I | 154,0 | 69,8 | | | Esparrago 2x RW 3/8" | 01-6080; 01-6090 |
| 03-6042 | Superior | III | 200,0 | 177,5 | | 0,0 | Hembra 2xRW 1/2"x13 h. E. Aire Rosca H. 1/4 BSP | 01-6040; 01-8040 |
| 03-6046 | Inferior | I | 200,0 | 177,5 | | | Hembra 2x RW 1/2" x 13 h. | 01-6040; 01-8040 |
| 03-6121 | Superior | III | 261,0 | 157,5 | | 73,2 | Esparrago 2x RM12x 1,75 E. Aire Rosca H. 1/4 BSP | 01-6110; 01-6120; 01-8010 |
| 03-6121/2 | Superior | III | 261,0 | 157,5 | | 73,2 | Hembra 2x RM10x 1,5 E. Aire Rosca H. 1/4 BSP | 01-6110; 01-6120; 01-8010 |
| 03-6121/4 | Superior | I | 261,0 | 157,5 | | | Hembra 1x RM10x 1,5 E. Aire Niple 1/4 BSP | 01-6110; 01-6120; 01-8010 |
| 03-6122 | Inferior | I | 261,0 | 157,5 | | | Hembra 2x RM10x 1,5 | 01-6110; 01-6120; 01-8010 |
| 03-8021 | Superior | V | 322,0 | 158,8 | | 79,4 | Esparrago 4x RM12x 1,75 E. Aire Rosca H. 1/4 BSP | 01-6130; 01-6140; 01-8020; 01-8030 |
| 03-8021/MD | Superior | V | 322,0 | 158,8 | | 79,4 | Esparrago 4x RM12x 1,75 E. Aire Rosca H. RM22x 1,5 | 01-6130; 01-6140; 01-8020; 01-8030 |
| 03-8023 | Superior | I | 322,0 | 157,5 | | | Esparrago 1x RM12x 1,5 Niple Aire 1/4 BSP | 01-6130; 01-6140; 01-8020; 01-8030 |
| 03-8027 | Superior | IV | 322,0 | 197,0 | 30,5 | | 2 Niples Aire 1/4 BSP | 01-6130; 01-6140; 01-8020; 01-8030 |
| 03-8022 | Inferior | V | 322,0 | 158,8 | | | Esparrago 4x RM12x 1,75 | 01-6130; 01-6140; 01-8020; 01-8030 |
| 03-8024 | Inferior | I | 322,0 | 157,5 | | | Esparrago 2x RM10x 1,5 | 01-6130; 01-6140; 01-8020; 01-8030 |
| 03-8028 | Inferior | II | 322,0 | 141,4 | | | 2 Esparragos RM12x 1,75 Desplazados | 01-6130; 01-6140; 01-8020; 01-8030 |

Las Medidas son en mm - Consultar Soportes Especiales - Consultar por Tapas con Topes

ANILLO DE FIJACIÓN/BRIDA DE ALUMINIO

Para pulmón lobular



| CÓDIGO | A | B | C | D | FIJACIONES | CÁMARA DE AIRE |
|---------|-------|-------|-----|-----|---------------------------------|---------------------------------|
| 03-6051 | 114,5 | 81,5 | 135 | 103 | 6 Ag.rosca.M8x1,25 (TO-06134) | 01-10110 |
| 03-6080 | 133 | 98 | 151 | 122 | 6 Ag.rosca.UNC 5/16" (TO-07037) | 01-6080/01-6090 |
| 03-6010 | 160 | 122 | 189 | 150 | 8 Ag.rosca.M8x1,25 (TO-06133) | 01-6010/01-6020 |
| 03-6041 | 178 | 132,5 | 200 | 160 | 6 Ag.rosca.UNC 5/16" (TO-07037) | 01-6040/01-8040 |
| 03-6120 | 237,5 | 194 | 260 | 220 | 12 Ag.rosca.M8x1,25 (TO-06133) | 01-6110/01-6120/01-8010 |
| 03-8020 | 292 | 253,7 | 321 | 283 | 12 Ag.rosca.M8x1,25 (TO-06133) | 01-6130/01-6140/01-8020/01-8030 |
| 03-6310 | 420 | 384 | 448 | 412 | 24 Tornillos M10x1,5 (TO-96329) | 01-6310 |
| 03-6329 | 488 | 448 | 513 | 479 | 24 Tornillos M10x1,5 (TO-96329) | 01-6329 |

TOPES DE SUSPENSION: Tabla de dimensiones (en mm)

